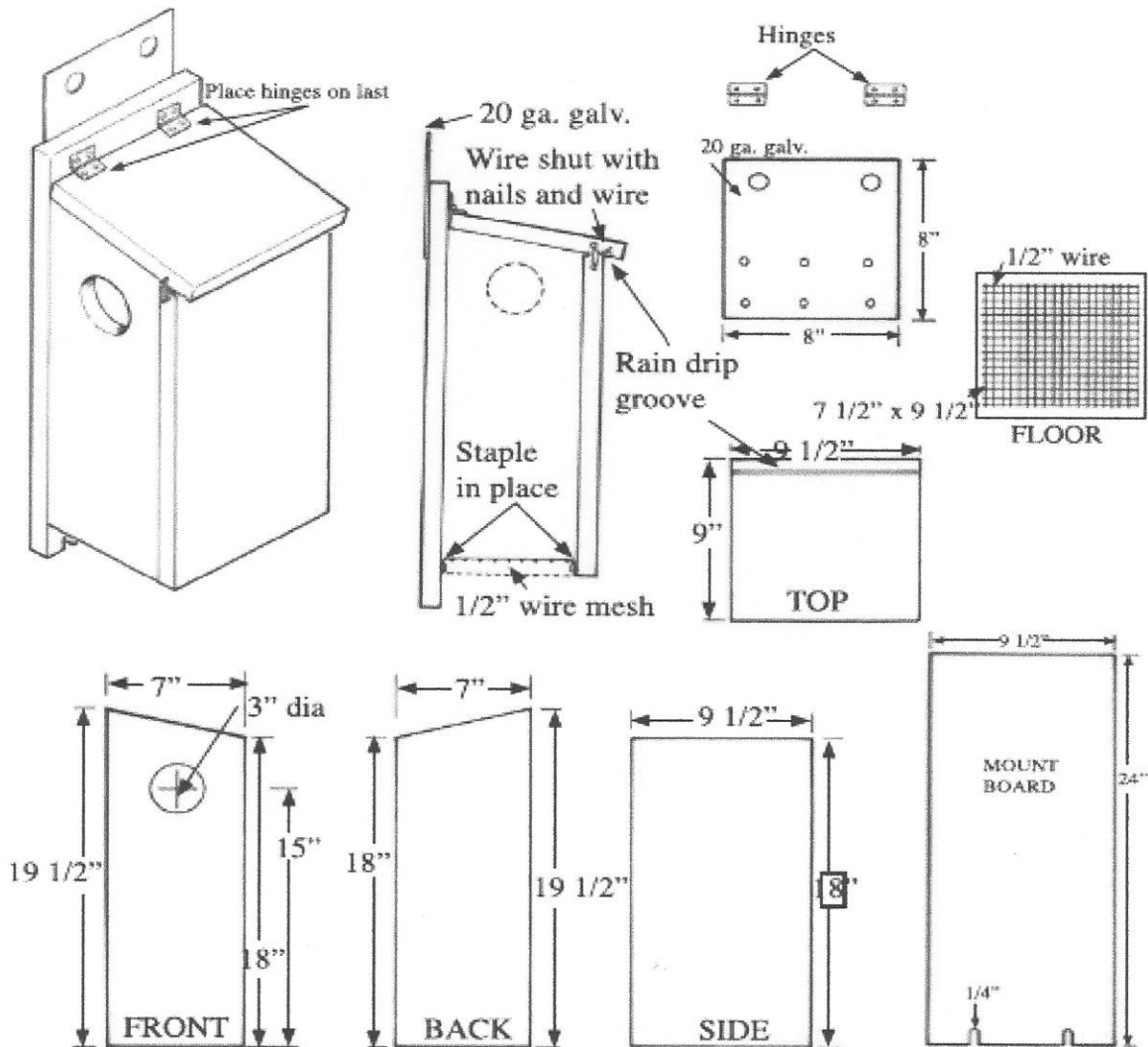


GRAY AND FOX SQUIRREL NEST BOX



The squirrel house should be placed at least 30 feet above the ground in a tree at least 10 inches in diameter. The entrance hole should face either east or south, away from prevailing winter winds. The box can be made more enticing to squirrels by half-filling it with dry leaves. Attach the box to the tree with two lag screws and washers, and loosen the screws each year to allow for tree growth. Boxes should be set out in the fall, since the heaviest use is in winter. Three or more boxes per acre will maintain a maximum squirrel population. Boxes should be placed only in forests with nut-producing trees less than 60 years old.



Source Ohio Division of Wildlife Publication 419 (406)

http://forestandrange.org/new_wetlands/pdfs/Ohio_DNR_nest_plans.pdf